

Fastlane® Multilane Controller

with Ethernet Connectivity



Setting the Standard

The Fastlane *Connect* suite of Ethernet connectable products is further enhanced with the addition of a Multilane Touchscreen Controller. Communicating using IP over Ethernet, the Touchscreen can monitor and control up to 63 lanes of selected Fastlane and Door Detective products. Lane displays will mimic the installation layout for ease of identification, with entry and exit mode selection and alarms all displayed live on screen.



The Fastlane *Connect* program allows Fastlane and IP connected Door Detective products to communicate on existing networks to ease installation, lane control and monitoring requirements. Adding a touchscreen to your network is therefore very straightforward. Furthermore, the Multilane Controller is POE compatible and can be supplied with a POE injector at an additional cost. The controller is available in two different forms, a console unit for on desk mounting and a flush mount unit for recessing into a desk or panel.

Barrier type
N/A
ARM
OPTICAL
Secure
<ul style="list-style-type: none">– IP communications– Control and monitor up to 63 lanes– Works with all Fastlane products and some Door Detective units
Accurate
<ul style="list-style-type: none">– Accurately assesses traffic through the barrier– Displays individual lane data– Provides instant feedback of traffic flow and incidents
Features
<ul style="list-style-type: none">– Easy and intuitive operation– High processing speed reduces traffic build-up– Encourages quick user acceptance
Aesthetics
<ul style="list-style-type: none">– Inspired, elegant design– Matches the Fastlane installation– Dual form factors for all requirements
Reliability
<ul style="list-style-type: none">– Quality build lowers whole life costs– Fewer failures mean lower repair costs– Online diagnostics and support packages

Fastlane[®] Multilane Controller

with Ethernet Connectivity



Dimensions

- Desktop Console
- Flush Mount Console
- Display Size

- 254mm L x 162.5mm W x 71.5mm H 2.5Kg
- 290mm L x 230mm W x 42.5mm H 1.5Kg
- 157mm L x 96mm H x 180mm Diagonal

Power Specifications

- Console & Flushmount

POE

Environmental

- Temperature
- Relative Humidity
- Ingress Protection

- 5 to 50 Degrees Centigrade
- 5 tp 95% Non-Condensing
- IP20 (Internal Building Applications Only)

Power Supply (included)

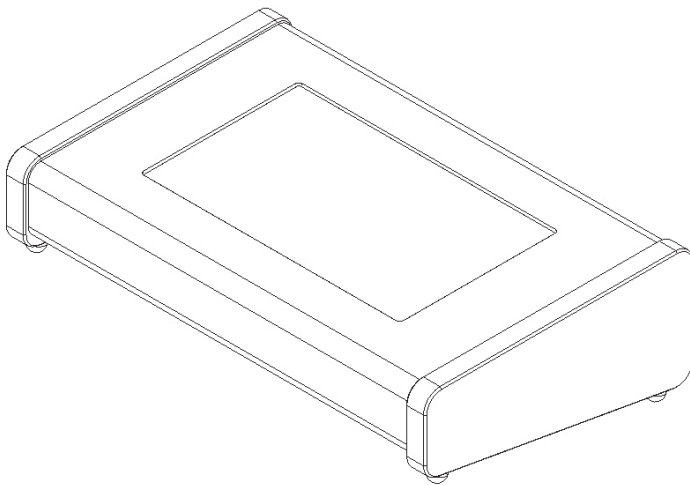
- POE Injector
- Approvals

- 150mm x 65mm x 36mm
- CE, UL E127643

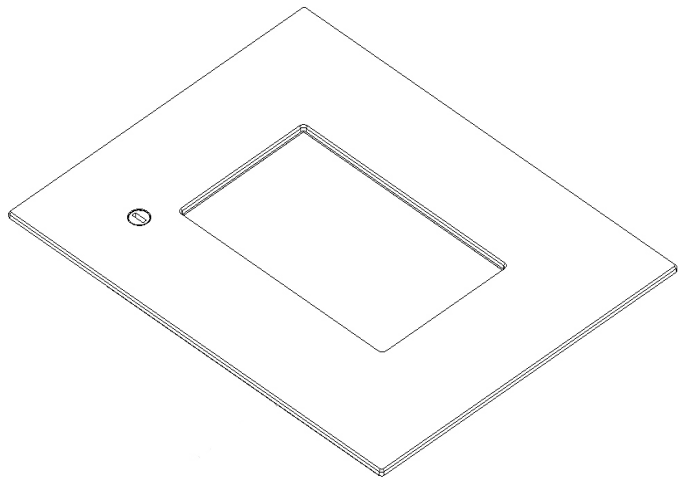
Approvals

- Console

CE



Desktop Console



Flushmount

For more details please contact Integrated Design Limited.



Feltham Point, Air Park Way, Feltham,
Middlesex, TW13 7EQ, United Kingdom

- T: +44 (0)208 890 5550
- E: info@fastlane-turnstiles.com
- W: www.fastlane-turnstiles.com

Installation photos may not represent current production models.
Please note specifications are subject to change without prior notice and performance features vary from model to model.

Issue B0

Local Reseller